

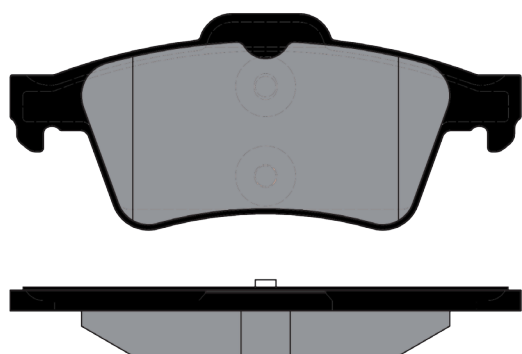
Brake Pad Set GDB1621/GDB2086 rear axle

Position of brake pad with spring

To ensure the most efficient function of the brake pads, it is important that the brake pad with spring (Fig.2) is mounted at the piston side of the brake caliper.

Incorrect mounting of the brake pads leads to noise, increased wear and possibly reduced brake performance.

Pad without spring (Fig.1)



Pad with spring (Fig.2)

